



Shepherd Bay



Available in:
Gold
Pewter
Classic Black



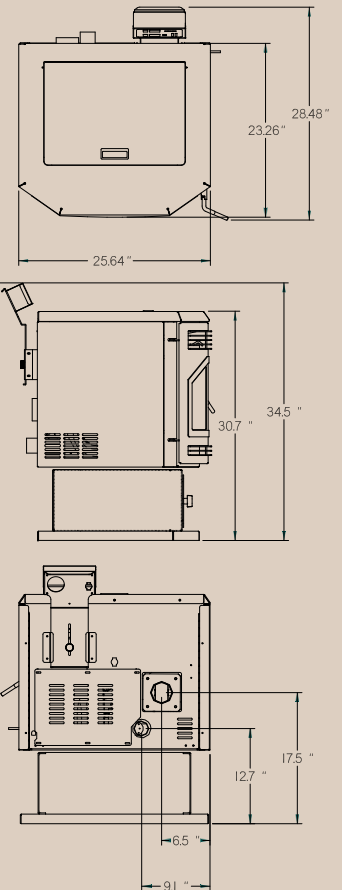
Watching over your home.

Our largest fire viewing window. The Shepherd Bay is our flagship pellet heater, with a large beautiful view of the fire, a brick pattern vermiculite heat reflector, and our handcrafted stainless steel log set included. Over 180 square inches of high temperature ceramic glass provides comforting radiant heat.



Specifications

Fuel Hopper Capacity	65 lb. - 10.8 to 52 hours burn time.
Burn Rate	2 to 5 lb./hr. set at factory. Adjustable to 1.25 to 6 lb./hr.
BTUs	16,800 to 42,000 BTUs/hr. set at factory. Adjustable to 10,500 to 50,400 BTUs/hr.
Heating Capacity	Heats up to 2000 sq. ft.*
Heat Exchanger	10 durable stainless steel tubes.
Firebox	Heat reflecting brick pattern fire-board.
Log Set	Handcrafted , and made from durable stainless steel . Designed to enhance your fire.
Convection Blower	265 CFM, 4 blower settings with auto-heat, cycling up as needed to put extra heat into your home.
Controls & Heat Modes	Soft-touch digital control with 5 heat levels and 3 modes : manual, thermostat high/low, thermostat on/off.**
Super Grate	Allows you to burn super-premium to standard grade pellets.
Ignition	Automatic electric hot air igniter.
Air Adjustment	Side-mounted draft control allows easy adjustment for changes in fuel.



Options

Duel Mode Fully Automatic Thermostat Control

***(Optional thermostat required to operate in thermostat modes)*

You choose: Have your heater light and completely shut down in On/Off mode, or turn down to low between heating cycles in High/Low mode. You can set the room temperature and relax. Includes wall thermostat, and 25' of 18/2 wire.

Fresh Air Intake Kit

3' Kit - Comes with 3' x 2" aluminum duct, hood, and 2 clamps.

10' Kit - Comes with 10' x 2" aluminum duct, hood, and 2 clamps.

An outside air kit is required in some areas and in some types of installations. Bringing in outside air for combustion will help prevent cold drafts in your home and assist in proper combustion.

*Approximate heating capacity: figures will vary depending upon quality of fuel, floor plan, heat loss of structure and climate.