



Gander Insert



Available in:
Gold
Polished Nickel
Classic Black



Shown with optional log set

Gander Insert

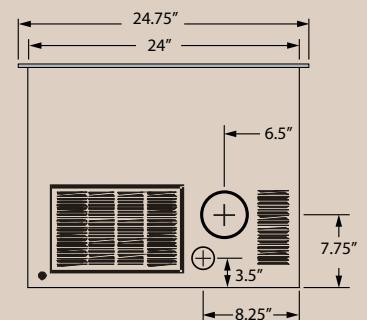
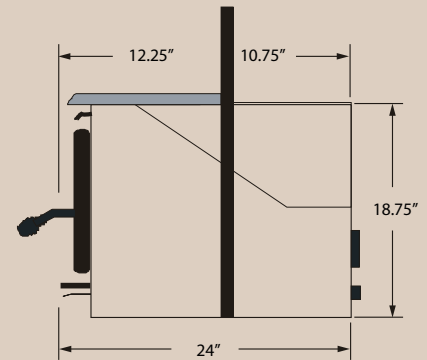
Easy to Load Sliding Top

Bring on the cold weather! The Gander Insert has all the best features to keep you warm: Sliding top for easy loading, powerful heat capacity, and strong convection blower to warm your home. You can also add beautiful plated finish options to dress up your hearth, and it is short enough in the back to fit into almost any fireplace opening.



Specifications

Fuel Hopper Capacity	40 lb. - 6.6 to 32 hours burn time.
Burn Rate	2 to 5 lb./hr. set at factory. Adjustable to 1.25 to 6 lb./hr.
BTUs	16,800 to 42,000 BTUs/hr. set at factory. Adjustable to 10,500 to 50,400 BTUs/hr.
Heating Capacity	Heats up to 2000 sq. ft.*
Heat Exchanger	9 Durable stainless steel tubes.
Convection Blower	265 CFM, 4 blower settings with auto-heat, cycling up as needed to put extra heat into your home.
Controls & Heat Modes	Soft-touch digital control with 5 heat levels and 3 modes : manual, thermostat high/low, thermostat on/off.**
Super Grate	Allows you to burn super-premium to standard grade pellets.
Ignition	Automatic electric hot air igniter.
Air Adjustment	Panel-mounted draft control allows easy adjustment for changes in fuel.
Surround Panel Included	Small - 28.5" High x 41" Wide Large - 32" High x 45" Wide



Options

Duel Mode Fully Automatic Thermostat Control

***(Optional thermostat required to operate in thermostat modes)*

You choose: Have your heater light and completely shut down in On/Off mode, or turn down to low between heating cycles in High/Low mode. You can set the room temperature and relax. Includes wall thermostat, and 25' of 18/2 wire.

Fresh Air Intake Kit

- 3' Kit - Comes with 3' x 2" aluminum duct, hood, and 2 clamps.
- 10' Kit - Comes with 10' x 2" aluminum duct, hood, and two clamps.

An outside air kit is required in some areas and in some types of installations. Bringing in outside air for combustion will help prevent cold drafts in your home and assist in proper combustion.

Hand Crafted Log Set

Each one-piece log set is individually crafted of stainless steel to give the appearance of real wood. The stainless design is much more durable than traditional ceramic and will last for years in the harsh environment of the pellet fire.

Surround Panel Trim

Dress up your insert by adding Gold or Nickel trim to the outside edge of your surround panel. Easy to install, and it can be added at any time.

*Approximate heating capacity: figures will vary depending upon quality of fuel, floor plan, heat loss of structure and climate.